

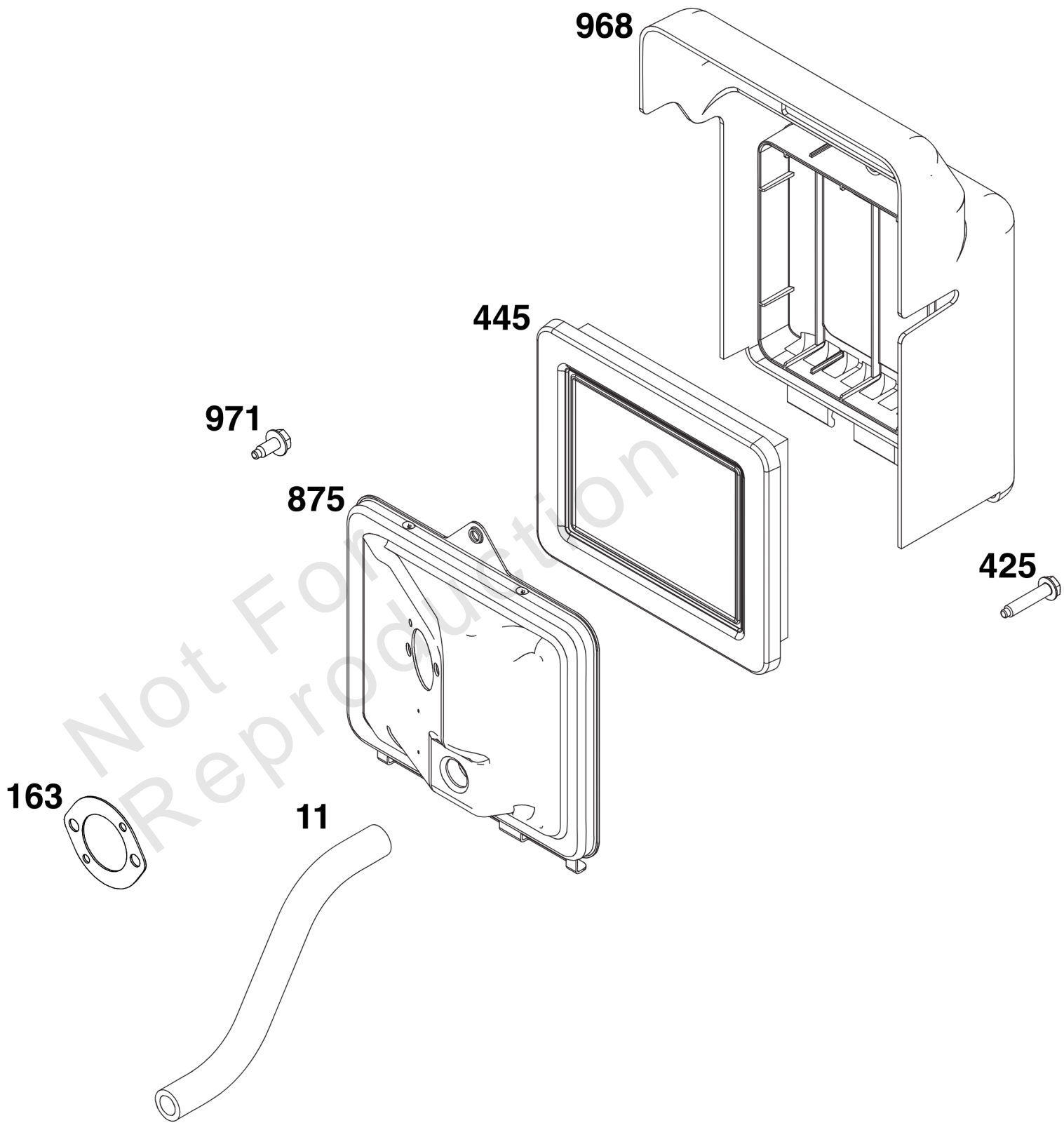


Parts Manual

Mfg. No: 150202-0009-H8

Model Components	Page
Air Cleaner Group.....	4
Blower Housing Group.....	6
Carburetor Group.....	8
Controls Group.....	10
Crankcase Cover/Sump and Lubrication Group.....	12
Crankshaft Group.....	14
Cylinder Group.....	16
Cylinder Head Group.....	18
Exhaust Group.....	22
Flywheel, Ignition, and Starter Group.....	24
Fuel Supply Group.....	26

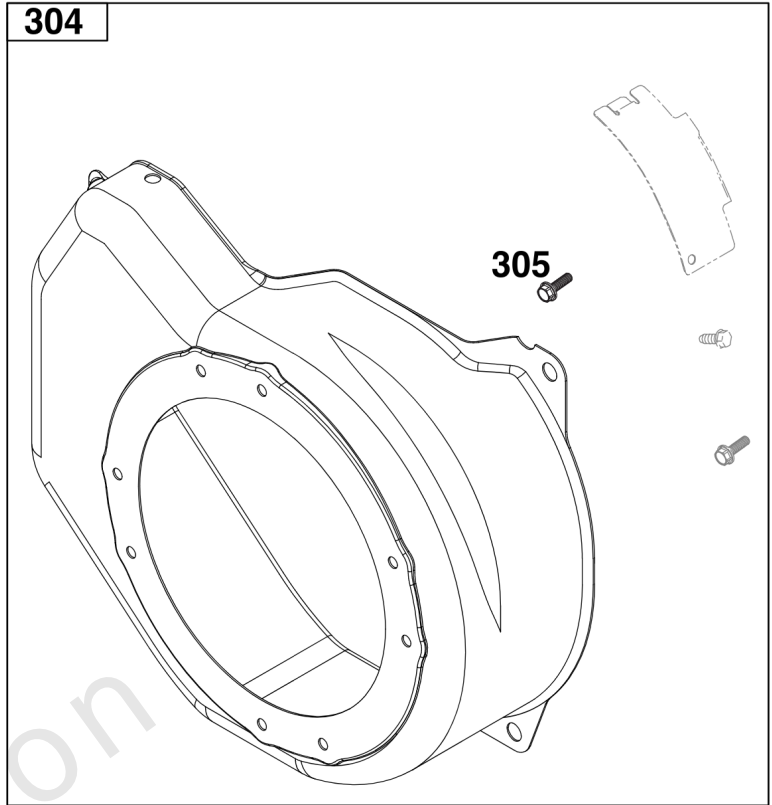
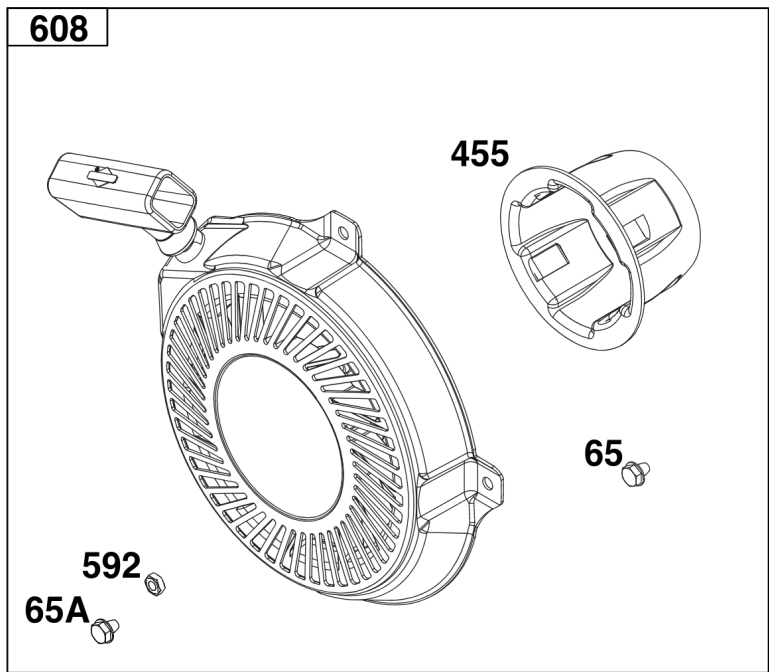
Not For
Reproduction



Air Cleaner Group

REF NO	PART NO	QTY	DESCRIPTION
11	692600	1	TUBE, Breather
163	-----	1	GASKET, Air Cleaner -(Part information located in Carburetor Group.)
425	699208	1	SCREW -(Air Cleaner Cover)
445	595030	1	FILTER, A/C Cartridge
875	699207	1	BASE-AIR CLEANER
968	692584	1	COVER, Air Cleaner
971	798649	2	SCREW -(Air Cleaner Base to Carburetor/Throttle Body)

Not For Reproduction

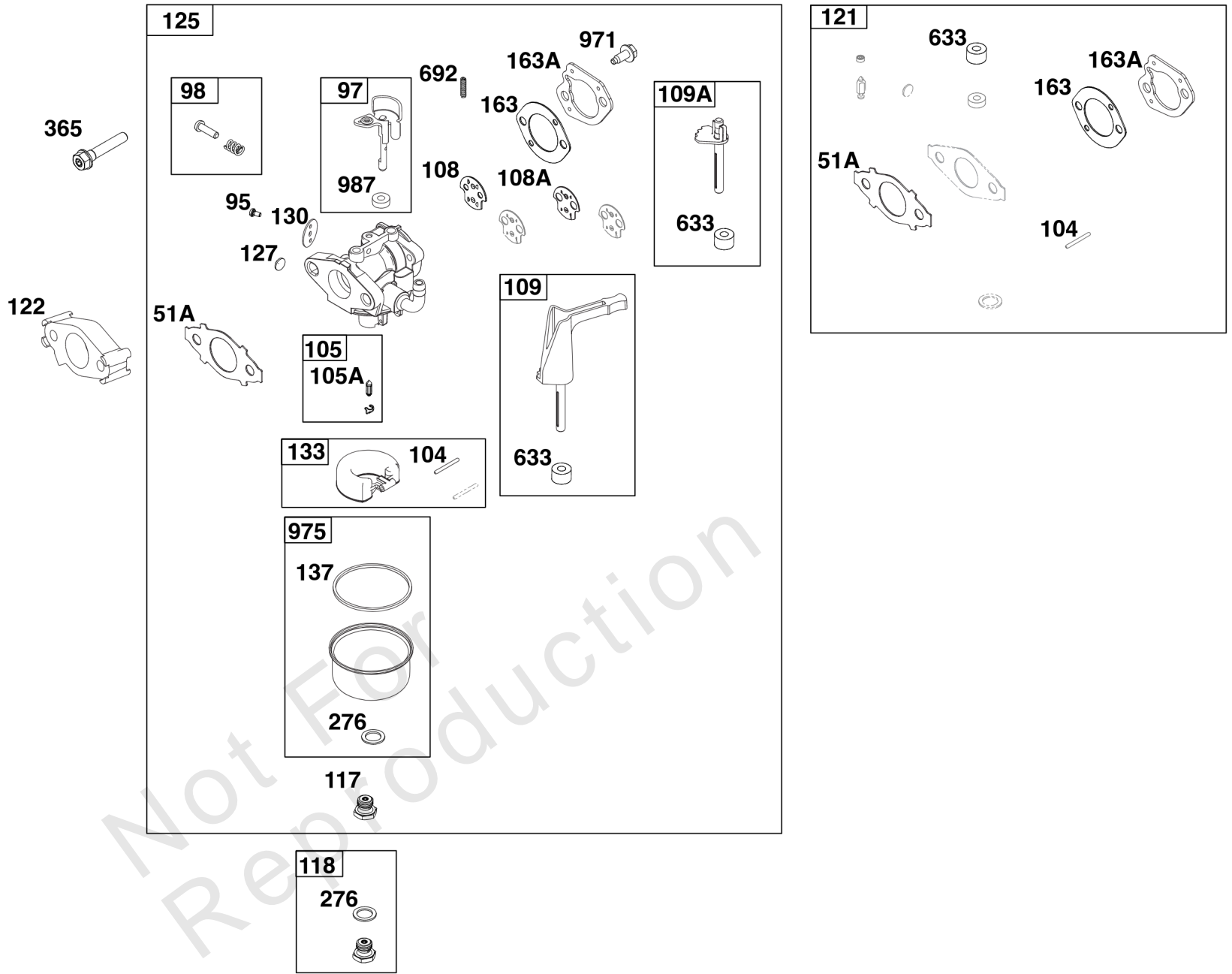


Not for
Reproduction

- 1319A
- 1036
- 1319

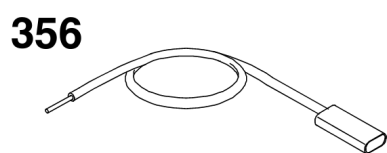
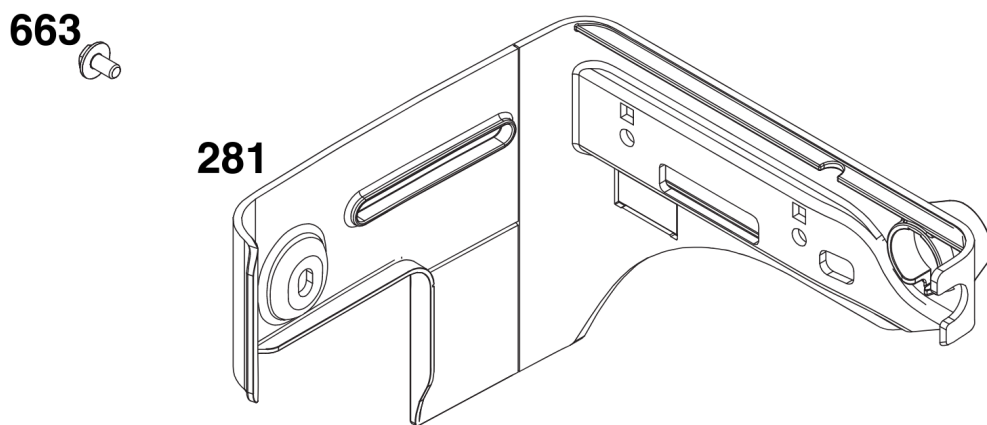
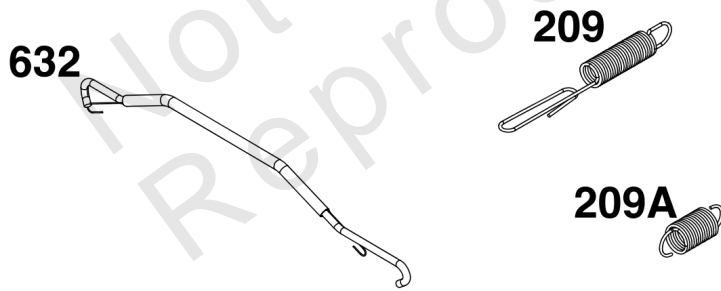
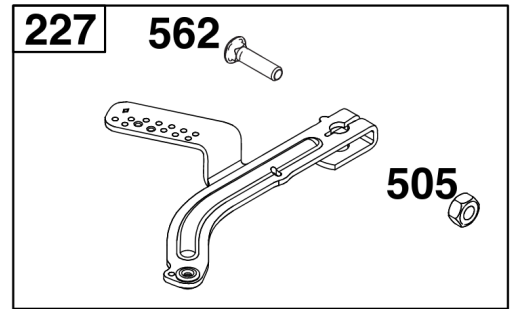
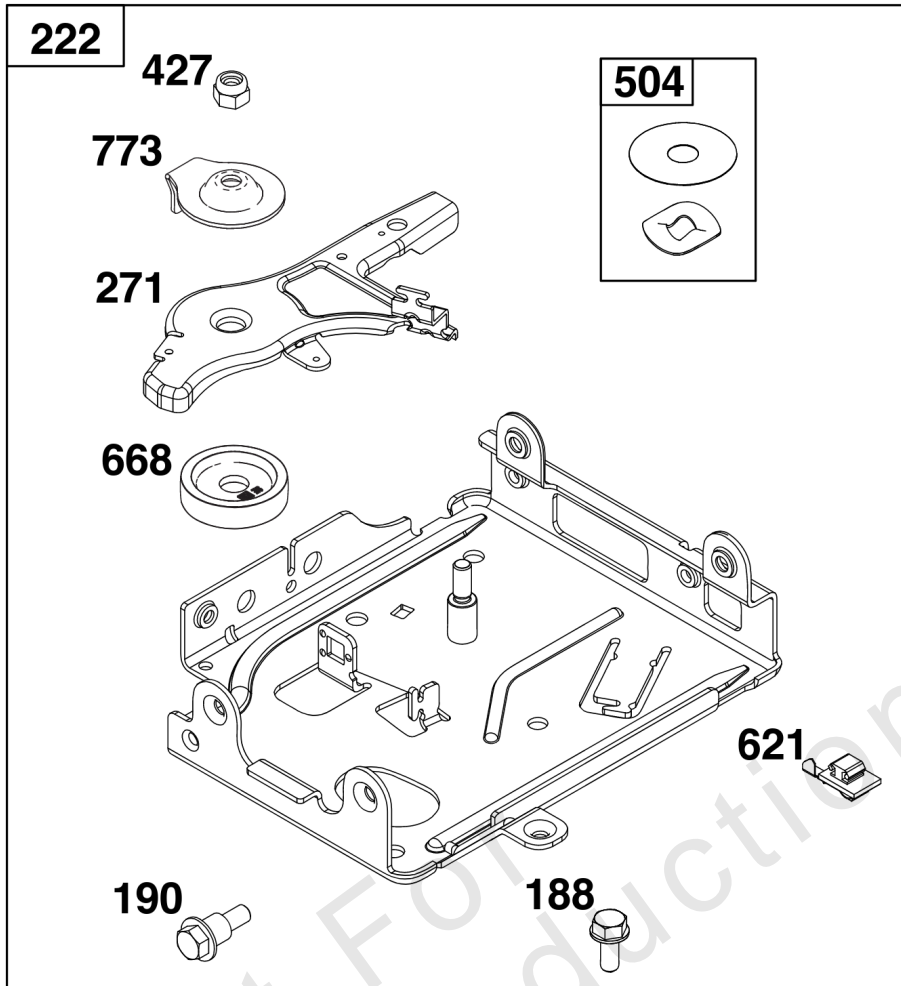
Blower Housing Group

REF NO	PART NO	QTY	DESCRIPTION
65	-----	4	SCREW -(Part information located in Flywheel/Ignition/Starter Group.)
65A	-----	4	SCREW -(Part information located in Flywheel/Ignition/Starter Group.)
304	699598	1	HOUSING, Blower
305	699481	3	SCREW -(Blower Housing)
455	-----	1	CUP, Flywheel -(Part information located in Flywheel/Ignition/Starter Group.)
592	-----	4	NUT -(Part information located in Flywheel/Ignition/Starter Group.)
608	-----	1	STARTER, Rewind -(Part information located in Flywheel/Ignition/Starter Group.)
1036	-----		LABEL, Emissions -(Available from a Briggs & Stratton Authorized Dealer)
1319	794467		LABEL, Warning -(REQUIRED When Replacing Parts With Warning Labels Affixed)
1319A	797669		LABEL, Warning -(REQUIRED When Replacing Parts With Warning Labels Affixed)



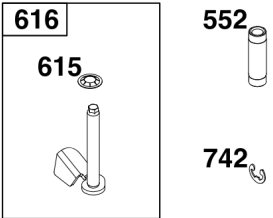
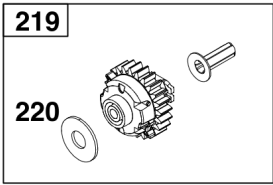
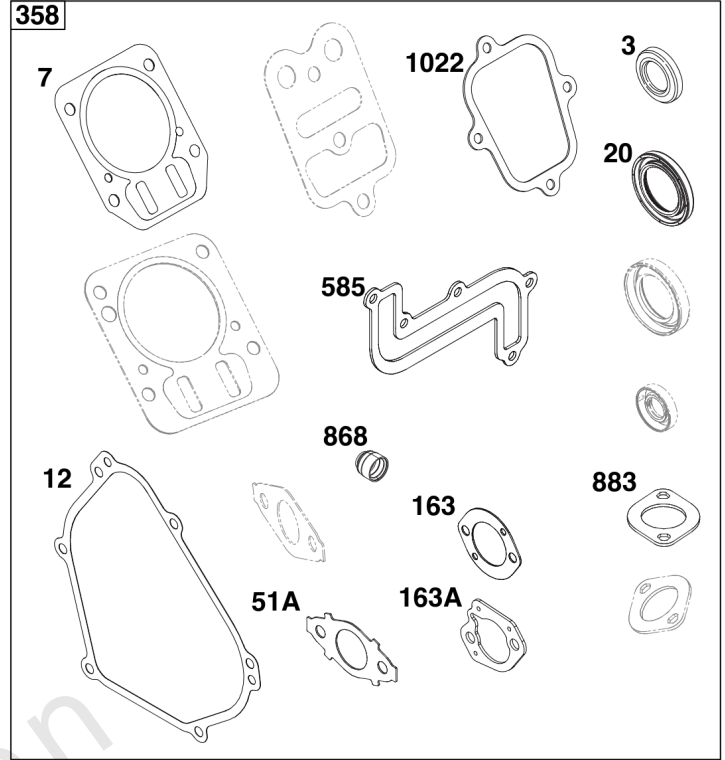
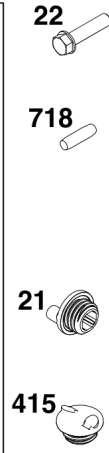
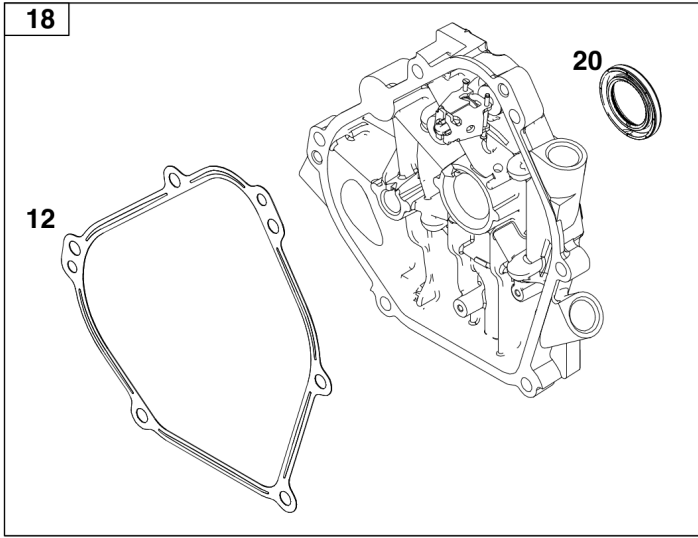
Carburetor Group

REF NO	PART NO	QTY	DESCRIPTION
51A	-----	2	GASKET, Intake -(Part information located in Cylinder Head Group.)
95	691636	1	SCREW -(Throttle Valve)
97	797628	1	SHAFT, Throttle
98	797156	1	KIT, Idle Speed
104	797622	1	PIN, Float Hinge
105	595324	1	VALVE, Float Needle
105A	797139	1	VALVE, Float Needle
108	692567	1	VALVE-CHOKE
108A	796993	1	VALVE, Choke
109	690023	1	SHAFT, Choke
109A	790624	1	SHAFT, Choke
117	798652	1	JET, Main -(Standard)
118	799178	1	JET, Main -(High Altitude)
121	792006		KIT, Carburetor Overhaul -(Service Kits may include extra parts not specific to this engine.)
122	791717	1	SPACER, Carburetor
125	798654	1	CARBURETOR
127	797633	1	PLUG, Welch
130	797630	1	VALVE, Throttle
133	797136	1	FLOAT, Carburetor
137	797625	1	GASKET, Float Bowl
163	696024	1	GASKET, Air Cleaner -(Air Cleaner)
163A	792870	1	GASKET, Air Cleaner -(Air Cleaner)
276	797632	1	WASHER, Sealing
365	699484	2	SCREW -(Carburetor/Throttle Body)
633	693867	1	SEAL, Choke/Throttle Shaft
692	797624	1	SPRING, Detent
971	-----	2	SCREW -(Part information located in Air Cleaner Group.)
975	797631	1	BOWL, Float
987	797629	1	SEAL, Choke/Throttle Shaft



Controls Group

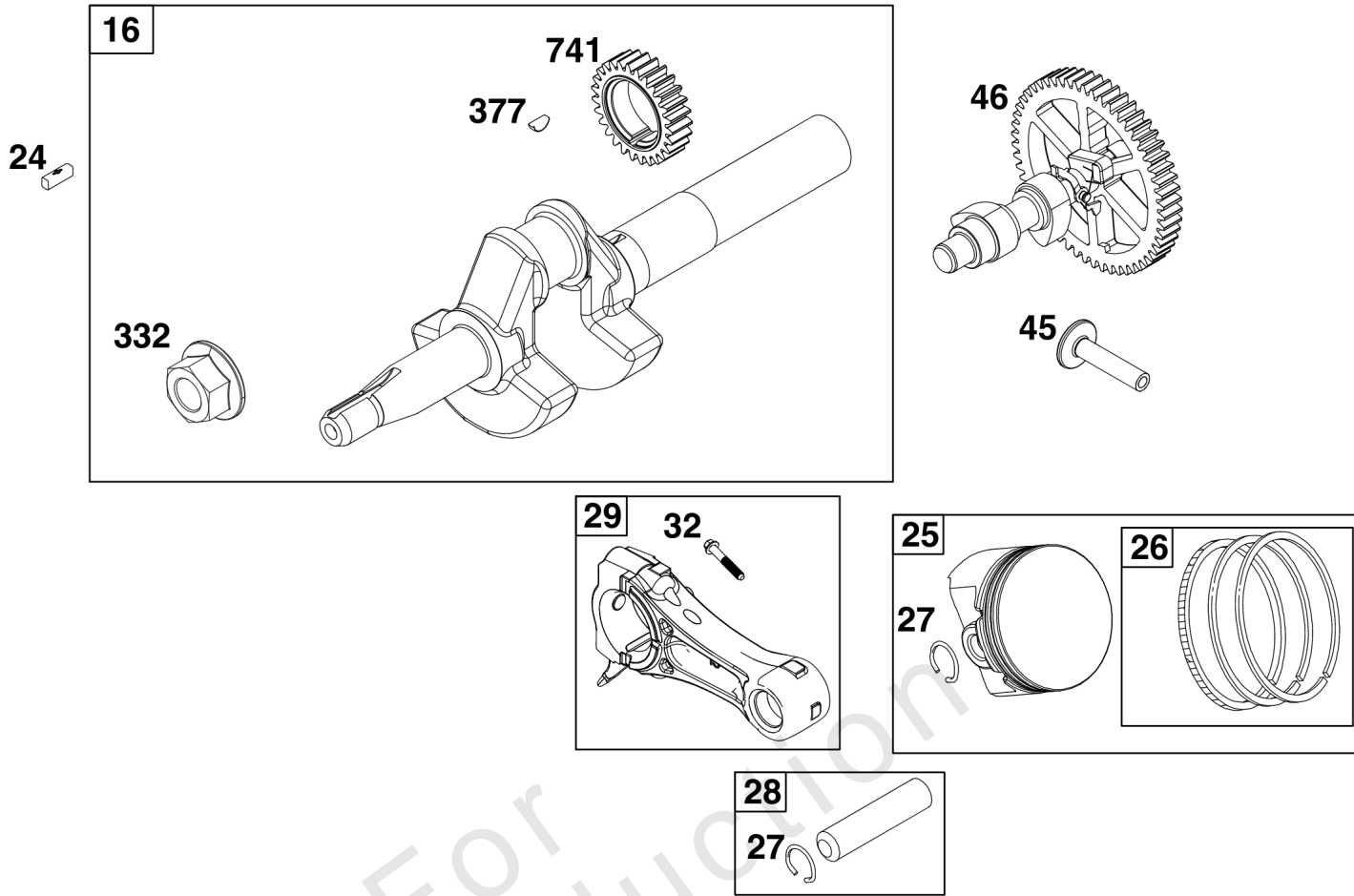
REF NO	PART NO	QTY	DESCRIPTION
188	699479	4	SCREW -(Control Bracket)
190	597133	4	SCREW -(Part information located in Fuel Supply Group.)
209	692571	1	SPRING, Governor
209A	691278	1	SPRING, Governor
222	793108	1	BRACKET, Control
227	794367	1	LEVER, Governor Control
271	695743	1	LEVER, Control
281	793122	1	PANEL, Control
356	-----	1	WIRE, Stop -(Part information located in Flywheel/Ignition/Starter Group.)
427	798458	1	NUT -(Control Bracket)
504	695383	1	SET, Friction Washer
505	691251	1	NUT -(Governor Control Lever)
562	691119	1	BOLT -(Governor Control Lever)
621	692310	1	SWITCH, Stop
632	693408	1	SPRING/LINK, Mechanical Governor
652	699206	1	SCREW -(Support Bracket)
663	699206	2	SCREW -(Control Panel)
668	694257	1	SPACER
773	694258	1	RETAINER



Not For
Reproduction

Crankcase Cover/Sump and Lubrication Group

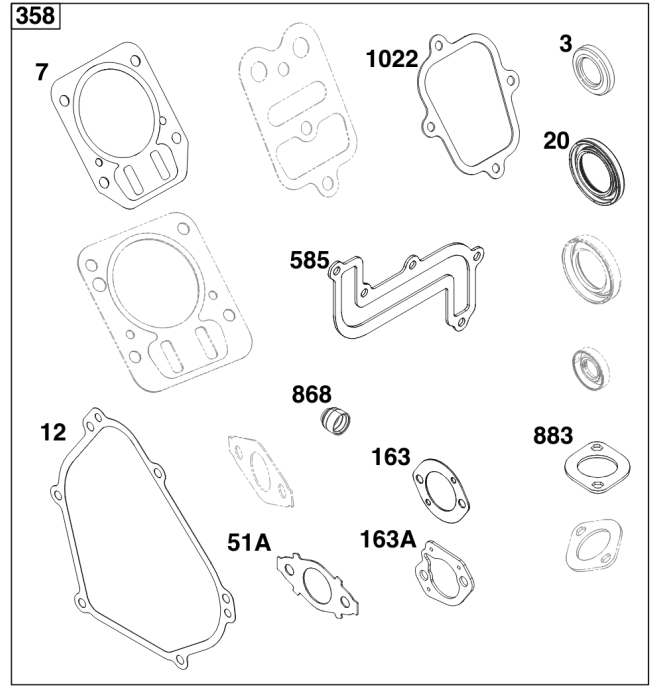
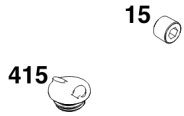
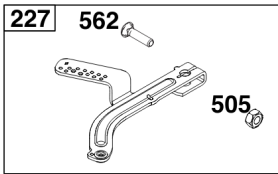
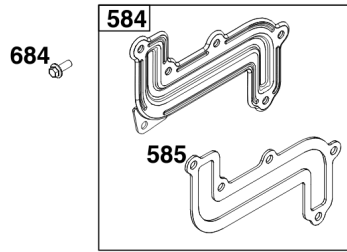
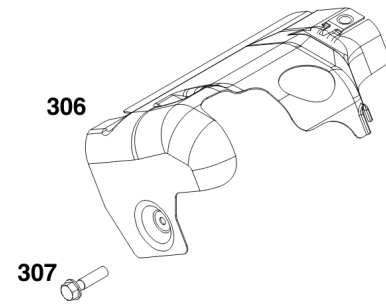
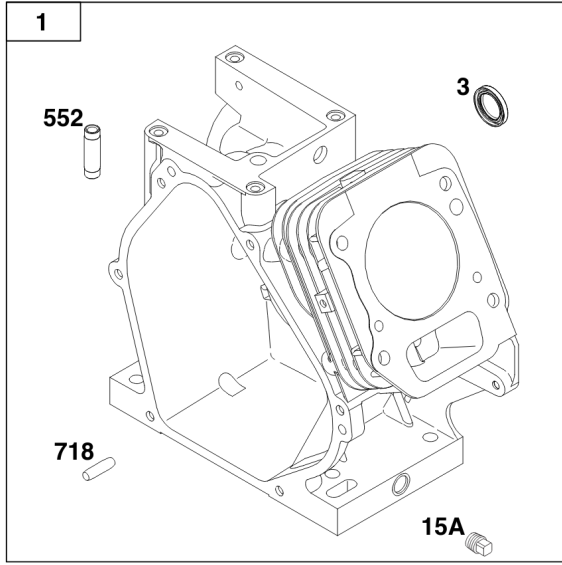
REF NO	PART NO	QTY	DESCRIPTION
3	-----	1	SEAL, Oil -(Part information located in Cylinder Group.)
7	-----	1	GASKET, Cylinder Head -(Part information located in Cylinder Head Group.)
12	699485	1	GASKET, Crankcase
18	699804	1	COVER, Crankcase
20	692550	1	SEAL-OIL -(PTO Side)
21	281658S	2	CAP, Oil Fill
22	594519	6	SCREW -(Crankcase Cover/Sump)
51A	-----	2	GASKET, Intake -(Part information located in Cylinder Head Group.)
163	-----	1	GASKET, Air Cleaner -(Part information located in Carburetor Group.)
163A	-----	1	GASKET, Air Cleaner -(Part information located in Carburetor Group.)
219	693578	1	GEAR, Governor
220	691724	1	WASHER -(Governor Gear)
358	-----		GASKET SET, Engine -(Part information located in Cylinder Group.)
415	693463	1	PLUG
552	692346	1	BUSHING, Governor Crank
585	791760	1	GASKET, Breather Passage
615	692576	1	RETAINER, Governor Shaft
616	692547	1	CRANK, Governor
718	592860	2	PIN, Locating
742	692564	1	RETAINER, E Ring
746	790278	1	GEAR-IDLER
868	-----	1	SEAL, Valve -(Part information located in Cylinder Head Group.)
883	-----	1	GASKET, Exhaust -(Part information located in Exhaust Group.)
1022	-----	1	GASKET, Rocker Cover -(Part information located in Cylinder Head Group.)



Not For
Reproduction

Crankshaft Group

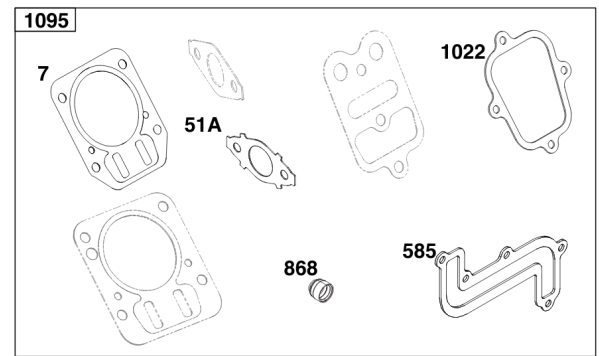
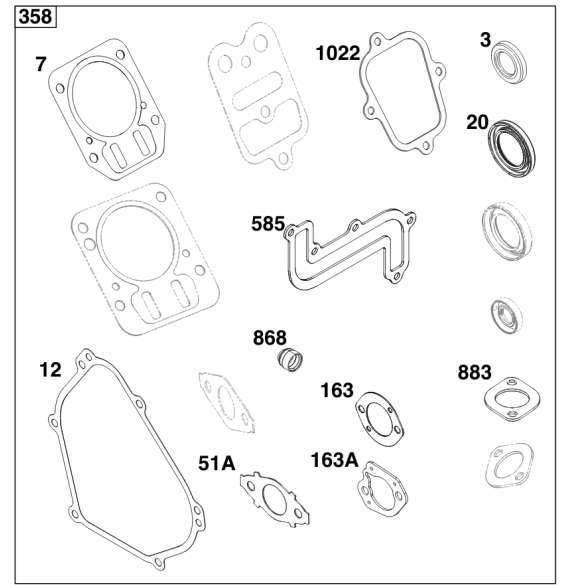
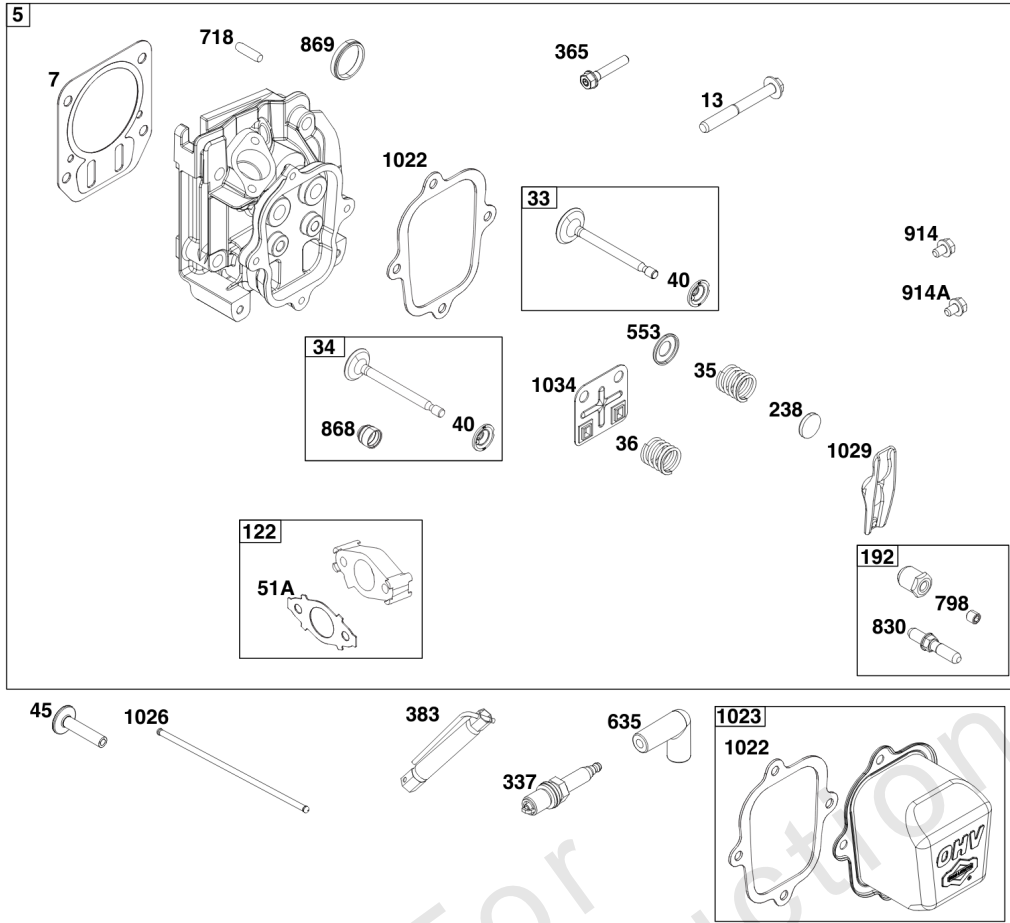
REF NO	PART NO	QTY	DESCRIPTION
16	797070	1	CRANKSHAFT
24	796335	1	KEY, Flywheel
25	791786	1	PISTON ASSEMBLY -(Standard)
25	791791		PISTON ASSEMBLY -(.020 Oversize)
26	791787	1	SET, Ring -(Standard)
26	791792		SET, Ring -(.020" Oversize)
27	690975	1	LOCK, Piston Pin
28	690229	1	PIN, Piston -(Standard)
29	791783	1	ROD, Connecting
32	791784	2	SCREW -(Connecting Rod)
45	-----	2	TAPPET, Valve -(Part information located in Cylinder Head Group.)
46	693404	1	CAMSHAFT
332	-----	1	NUT -(Part information located in Flywheel/Ignition/Starter Group.)
377	690979	1	KEY, Woodruff
741	695087	1	GEAR, Timing



Not For
Reproduction

Cylinder Group

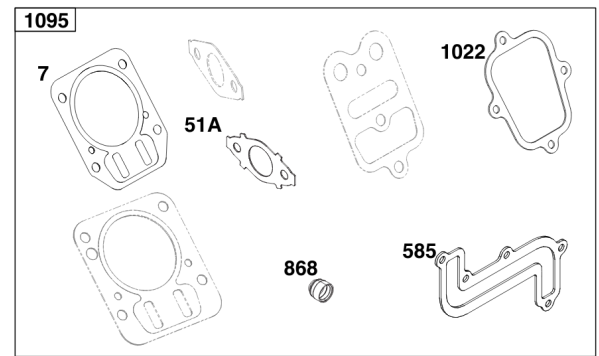
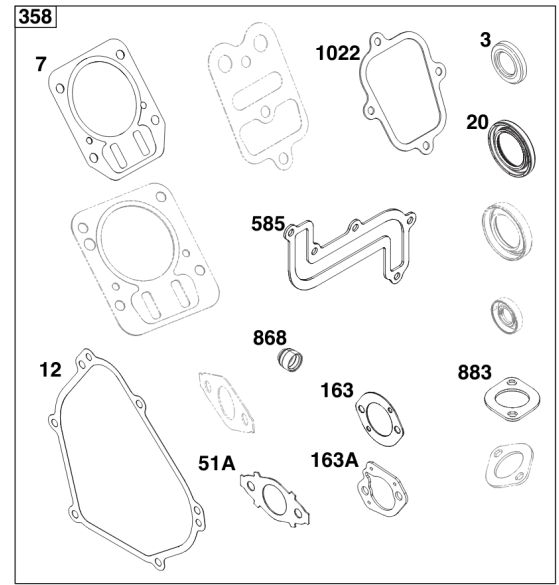
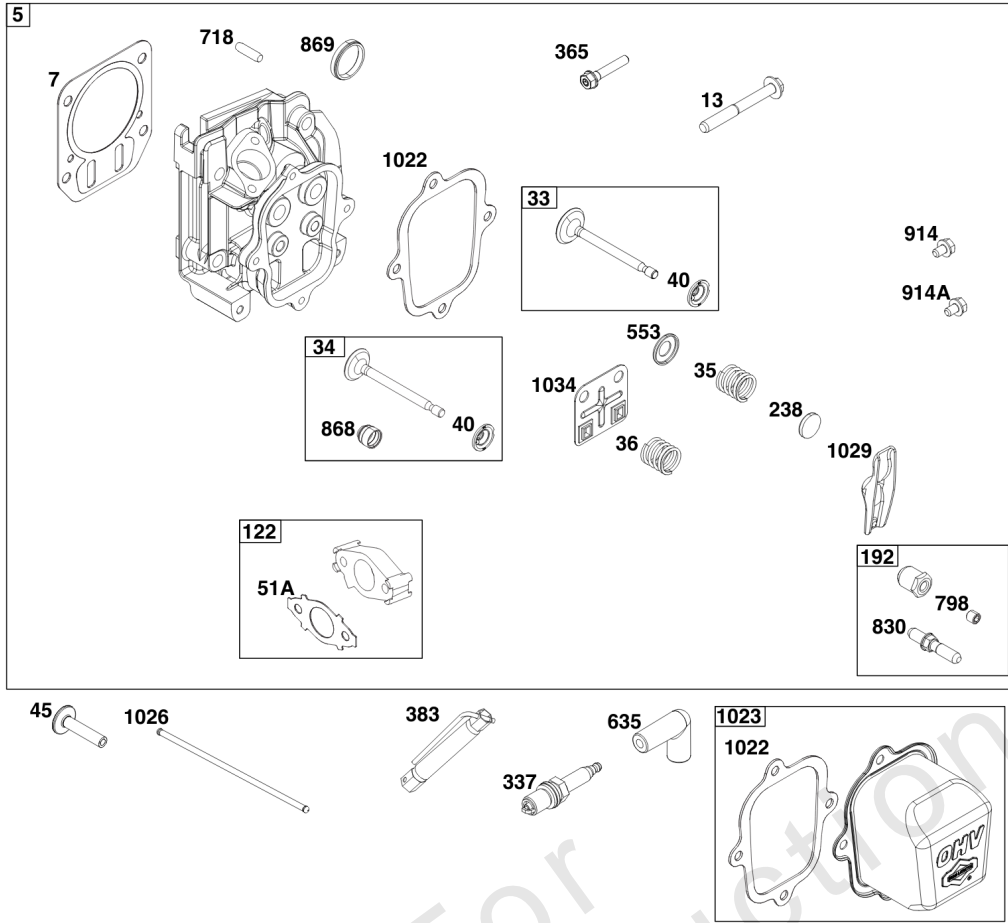
REF NO	PART NO	QTY	DESCRIPTION
1	794188	1	CYLINDER ASSEMBLY
3	299819S	1	SEAL, Oil -(Magneto Side)
7	-----	1	GASKET, Cylinder Head -(Part information located in Cylinder Head Group.)
12	-----	1	GASKET, Crankcase -(Part information located in Crankcase Cover/Sump and Lubrication Group.)
15	555578	1	PLUG, Oil Drain
15A	691686	2	PLUG-OIL DRAIN
20	-----	1	SEAL, Oil -(Part information located in Crankcase Cover/Sump and Lubrication Group.)
51A	-----	2	GASKET, Intake -(Part information located in Cylinder Head Group.)
163	-----	1	GASKET, Air Cleaner -(Part information located in Carburetor Group.)
163A	-----	1	GASKET, Air Cleaner -(Part information located in Carburetor Group.)
227	-----	1	LEVER, Governor Control -(Part information located in Controls Group.)
306	594516	1	SHIELD, Cylinder
307	794822	1	SCREW -(Cylinder Shield)
358	791797		GASKET SET, Engine -(Service Kits may include extra parts not specific to this engine.)
415	-----	1	PLUG -(Part information located in Crankcase Cover/Sump and Lubrication Group.)
505	-----	1	NUT -(Part information located in Controls Group.)
552	692346	1	BUSHING, Governor Crank
562	-----	1	BOLT -(Part information located in Controls Group.)
584	791759	1	COVER, Breather Passage
584	791759	1	COVER, Breather Passage
585	791760	1	GASKET, Breather Passage
684	793369	6	SCREW -(Breather Passage Cover)
718	-----	2	PIN, Locating -(Part information located in Crankcase Cover/Sump and Lubrication Group.)
868	-----	1	SEAL, Valve -(Part information located in Cylinder Head Group.)
883	-----	1	GASKET, Exhaust -(Part information located in Exhaust Group.)
1022	-----	1	GASKET, Rocker Cover -(Part information located in Cylinder Head Group.)



Not For
Reproduction

Cylinder Head Group

REF NO	PART NO	QTY	DESCRIPTION
3	-----	1	SEAL, Oil -(Part information located in Cylinder Group.)
5	594701	1	HEAD, Cylinder
7	791716	1	GASKET, Cylinder Head
12	-----	1	GASKET, Crankcase -(Part information located in Crankcase Cover/Sump and Lubrication Group.)
13	594518	4	SCREW -(Cylinder Head)
20	-----	1	SEAL, Oil -(Part information located in Crankcase Cover/Sump and Lubrication Group.)
33	499642	1	VALVE, Exhaust
34	795443	1	VALVE, Intake
35	691304	1	SPRING, Valve -(Intake)
36	691304	1	SPRING, Valve -(Exhaust)
40	692194	2	RETAINER, Valve
45	690977	2	TAPPET, Valve
51A	791718	2	GASKET, Intake
122	-----	1	SPACER, Carburetor -(Part information located in Carburetor Group.)
163	-----	1	GASKET, Air Cleaner -(Part information located in Carburetor Group.)
163A	-----	1	GASKET, Air Cleaner -(Part information located in Carburetor Group.)
192	594382	2	ADJUSTER, Rocker Arm
238	691300	2	CAP, Valve
337	691043	1	PLUG, Spark
358	-----		GASKET SET, Engine -(Part information located in Cylinder Group.)
365	-----	2	SCREW -(Part information located in Carburetor Group.)
383	19576S	1	WRENCH, Spark Plug
553	594515	2	RETAINER, Valve
585	791760	1	GASKET, Breather Passage
635	692076	1	BOOT, Spark Plug
718	-----	2	PIN, Locating -(Part information located in Crankcase Cover/Sump and Lubrication Group.)
798	597000	2	SCREW -(Rocker Arm)
830	594230	2	STUD, Rocker Arm -(Rocker Arm)
868	795440	1	SEAL-VALVE
869	691155	1	SEAT, Valve -(Intake)
883	-----	1	GASKET, Exhaust -(Part information located in Exhaust Group.)
914	594517	3	SCREW -(Rocker Cover)
914A	699481	1	SCREW -(Rocker Cover) (Bottom)
1022	691890	1	GASKET-ROCKER COVER
1023	595245	1	COVER-ROCKER
1026	790287	2	ROD, Push
1029	797443	2	ARM, Rocker
1034	594229	1	GUIDE, Push Rod

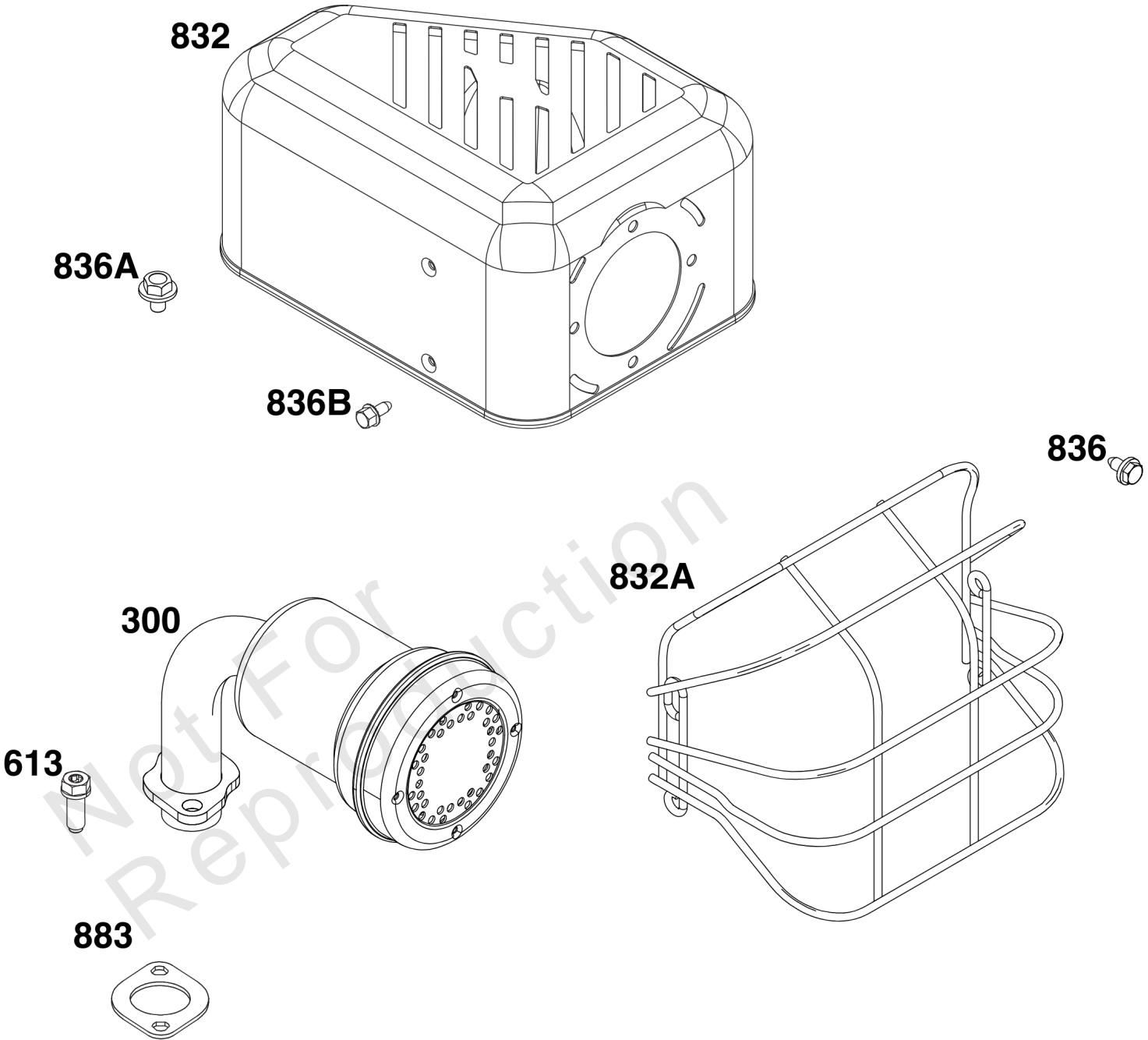


Not For
Reproduction

Cylinder Head Group

REF NO	PART NO	QTY	DESCRIPTION
1095	791798		GASKET SET, Valve -(Service Kits may include extra parts not specific to this engine.)

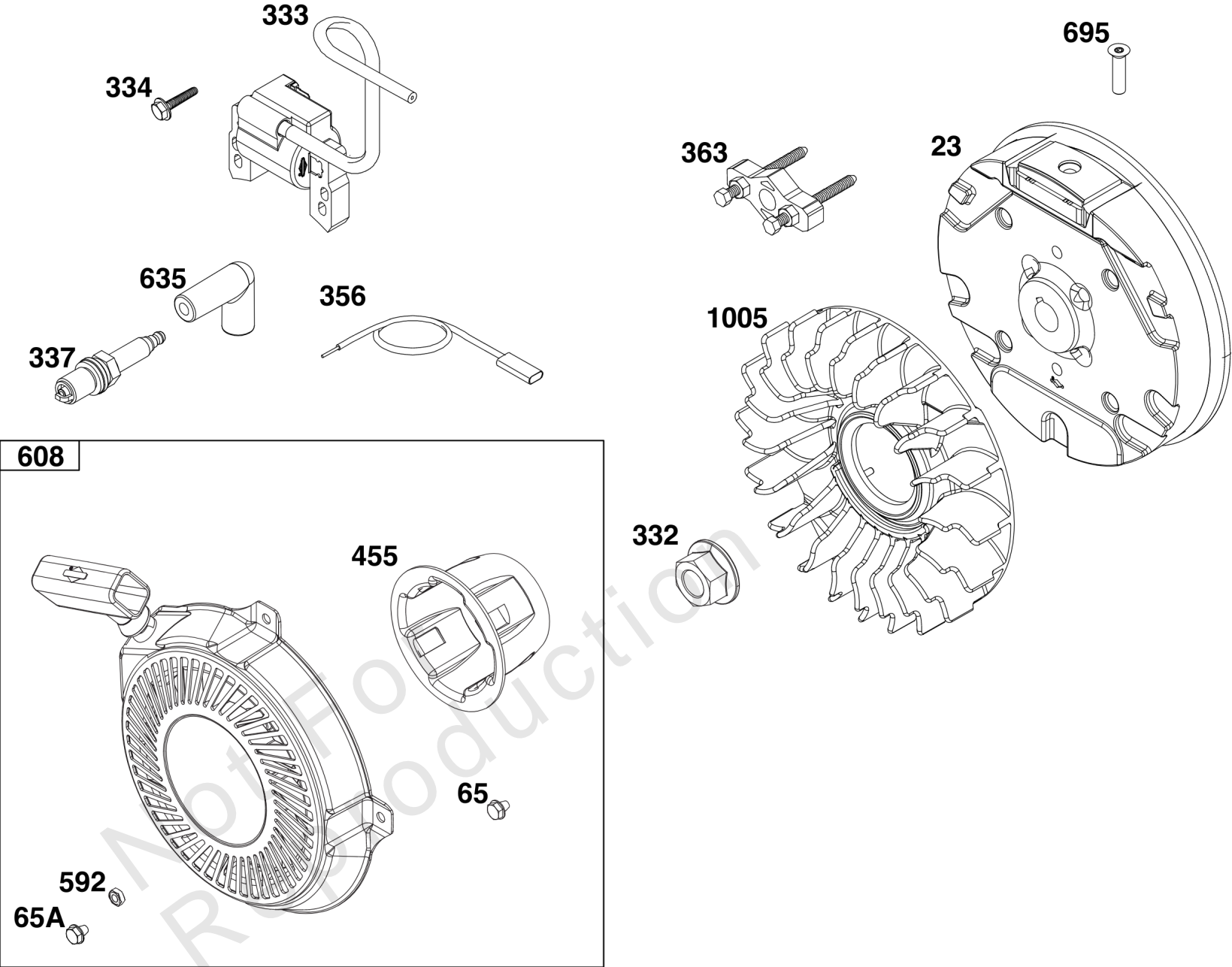
Not For Reproduction



Exhaust Group

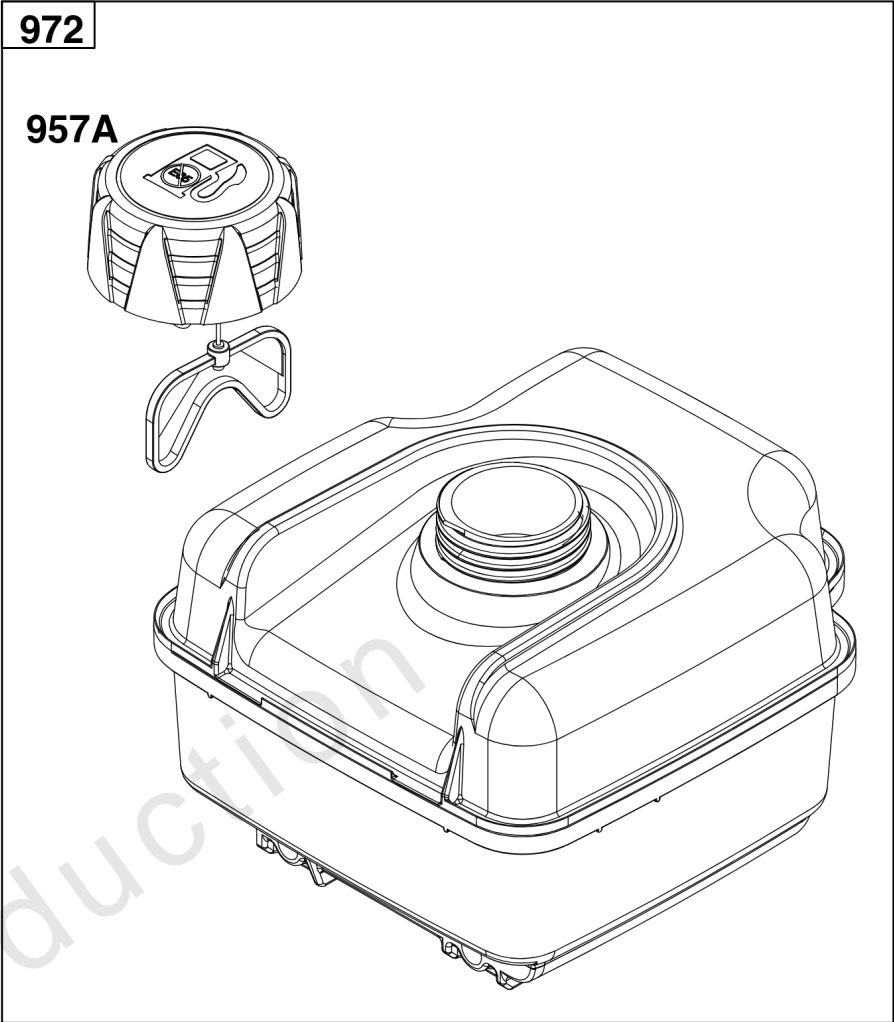
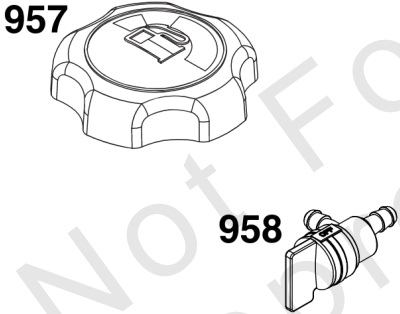
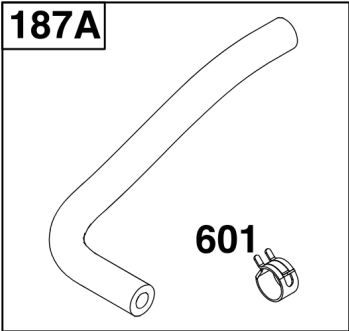
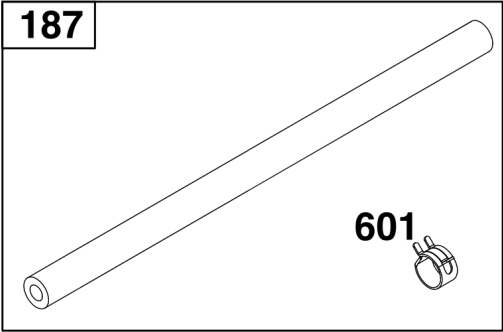
REF NO	PART NO	QTY	DESCRIPTION
300	693593	1	MUFFLER
613	798517	2	SCREW -(Muffler)
832	593953	1	GUARD, Muffler
832A	696516	1	MUFFLER
836	699204	4	SCREW -(Muffler Guard)
836A	594002	1	SCREW -(Muffler Guard)
836B	699203	4	SCREW -(Muffler Guard)
883	798516	1	GASKET, Exhaust

Not For Reproduction



Flywheel, Ignition, and Starter Group

REF NO	PART NO	QTY	DESCRIPTION
23	798821	1	FLYWHEEL
65	699228	4	SCREW -(Rewind Starter)
65A	690837	4	SCREW -(Rewind Starter)
332	591988	1	NUT -(Flywheel)
333	591101	1	ARMATURE, Magneto
334	699477	2	SCREW -(Magneto Armature)
337	-----	1	PLUG, Spark -(Part information located in Cylinder Head Group.)
356	692390	1	WIRE, Stop
363	19203	1	PULLER, Flywheel
455	591302	1	CUP, Flywheel
592	690800	4	NUT -(Rewind Starter)
608	591301	1	STARTER, Rewind
635	-----	1	BOOT, Spark Plug -(Part information located in Cylinder Head Group.)
695	698807	1	SCREW -(Ring Gear)
1005	794273	1	FAN, Flywheel



Not For
Reproduction

Fuel Supply Group

REF NO	PART NO	QTY	DESCRIPTION
187	791766	1	LINE, Fuel
187A	791867	1	LINE, Fuel
190	597133	4	SCREW -(Fuel Tank)
601	791850	4	CLAMP, Hose
957	795027	1	CAP, Fuel Tank
957A	799719	1	CAP, Fuel Tank
958	698180	1	VALVE, Fuel Shutoff
972	799863	1	TANK, Fuel

Not For Reproduction

